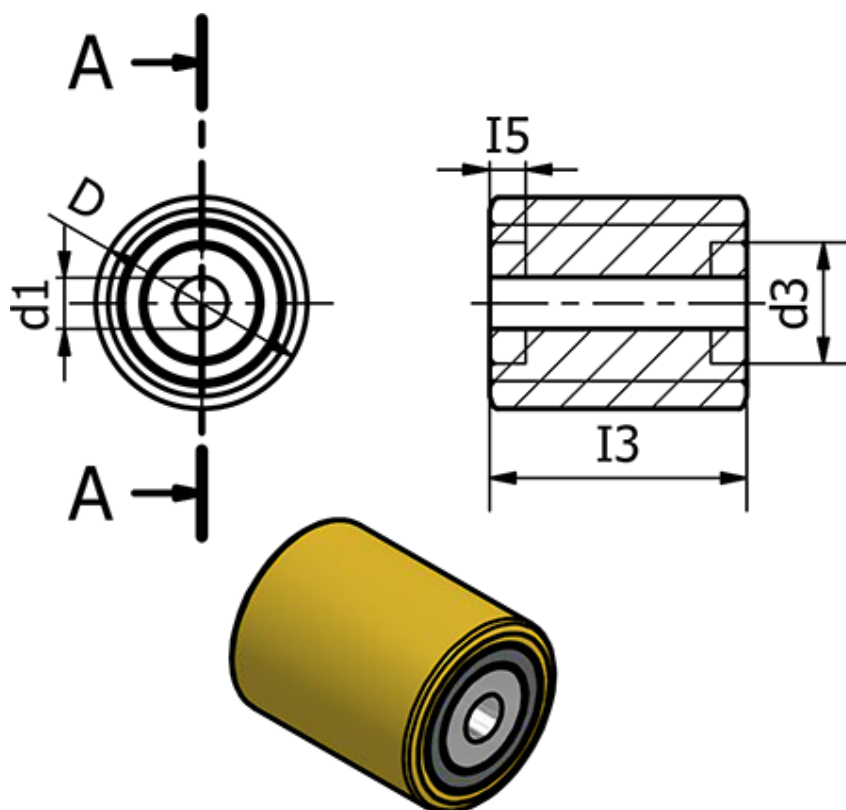


Article number: 2314452799

Description: E+G polyurethane wheel 452799
RE.G5-82x100-RSL - Loose wheel with ball bearings

Measures



Code	= 452799	Static load (N)	= 11000
D	= 82	Type	= RE.G5-82x100-RSL
d1	= 20	Weight (g)	= 1450
d3	= 47		
Dynamic carrying capacity (N)	= 10000		
I3	= 100		
I5	= 14		
Rolling resistance (N)	= 3900		